

niftylift

HR12NE



(A) 12.1m
39ft 6in



(B) 10.1m
33ft



(C) 6.4m
21ft



200kg
440lbs



1.2m x 0.85m
3ft 11in x 2ft 9in



(D) 1.98m
6ft 6in



(F) 1.49m
4ft 11in



(J) 3.97m
13ft



6km/h
3.7mph



3.3m
11ft 6in



25%
14°



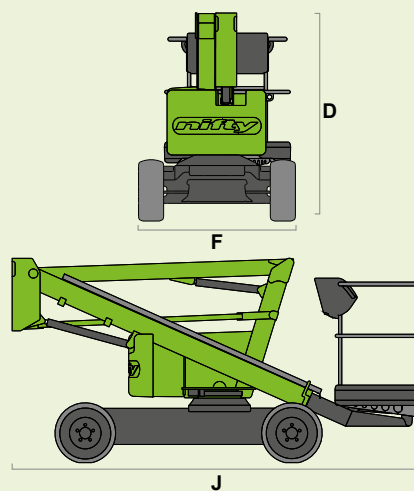
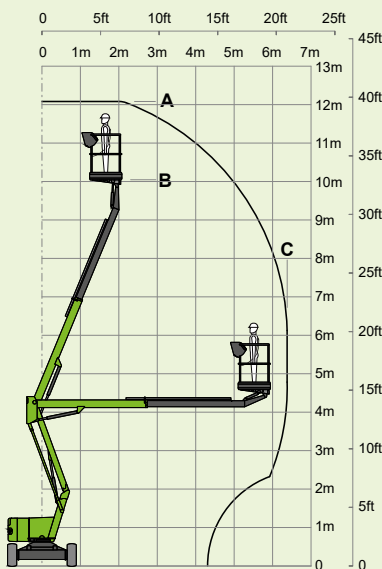
3250kg
7165lbs



All-Electric



Niftylink



SiOPS® **All-Electric**
toughcage **Niftylink®**

niftylift

Chalkdell Drive, Shenley Wood,
Milton Keynes, MK5 6GF
England, United Kingdom
+44 1908 223456
sales@niftylift.com
www.niftylift.com

 ISO 9001 QUALITY MANAGEMENT	 ISO 14001 ENVIRONMENTAL MANAGEMENT	 ISO 45001 HEALTH & SAFETY MANAGEMENT
---	--	--